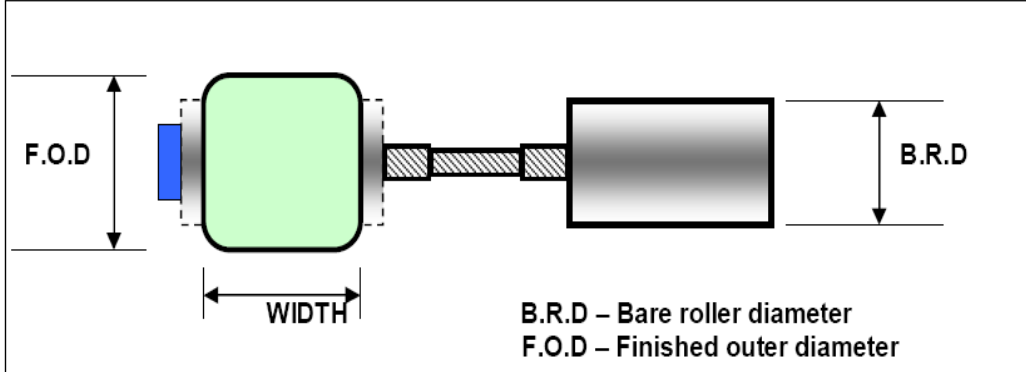


How to Indent Cots & Aprons:

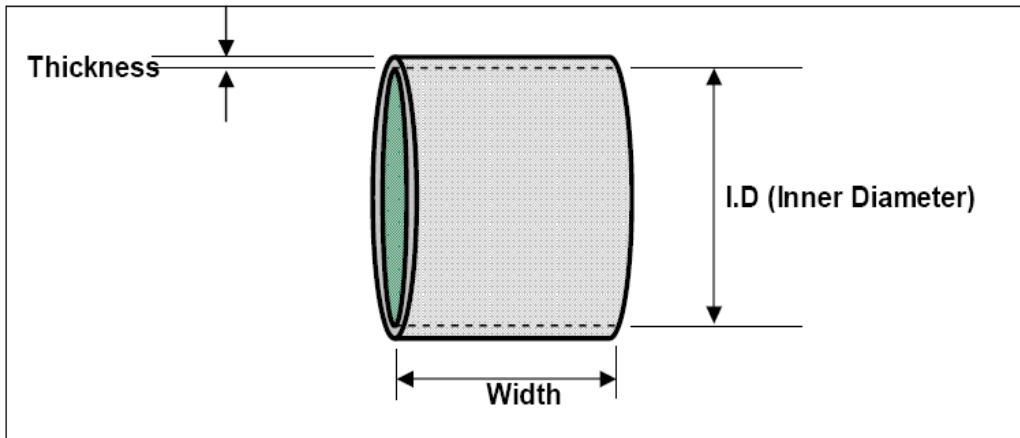
Cots dimension and intending



For example

Grade	Construction	B.R.D	F.O.D	Width	Unit
E463	AF	19	32	28	MM

Aprons dimension and intending



For example

Grade	I.D	Width	Thickness	Unit
E5910	80.5	30	1.05	MM